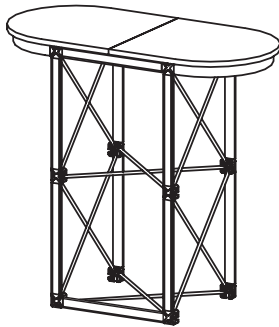
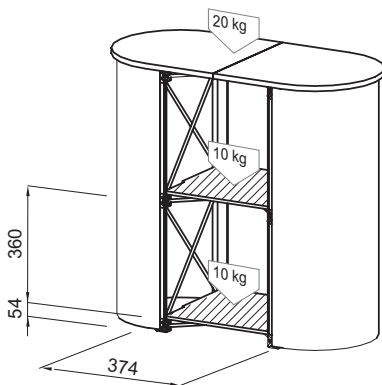
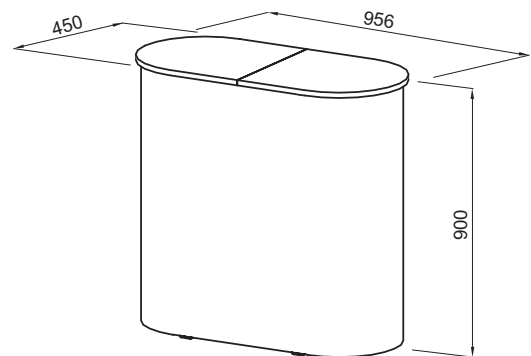


EUROcounter ES – 1 x 2, straight



Art nr.: 2.40.12011
 2.40.12021
 Weight: 6,78 / 6,93 kg
 Material: aluminium alloy, eloxed,
 laminated chipboard (beech)



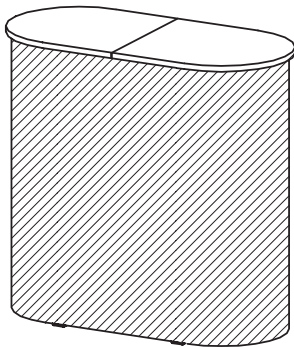
Art nr.: 2.41.03001
 Weight: 1,4 kg
 Material: laminated chipboard (beech)
 Notice: one or two shelves are possible
 Max. load: 20 kg



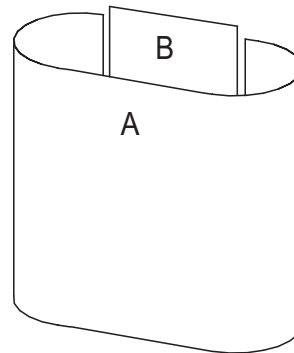
Art nr.: 2.41.07003
 Weight: 2 kg
 Material: nylon
 Dimensions: 500 x 170 x 800 mm

| Art nr. | Description |
|------------|---|
| 2.40.12011 | EUROcounter ES - 1 x 2, straight, open back with mag. bars and top desk |
| 2.40.12021 | EUROcounter ES - 1 x 2, straight, closed back with mag. bars and top desk |
| 2.41.03001 | Shelf for ES counter, straight |
| 2.41.07003 | Flight bag for ES counter and ES counter mini, black |

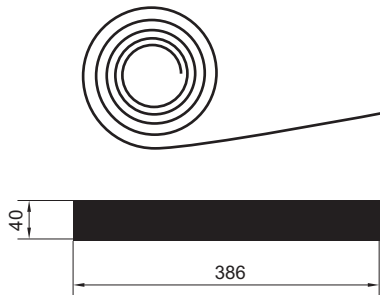
Graphic panels for ES - 1 x 2, straight



Art nr.: 2.43.12011-01
 2.43.12021-01
 Gewicht: 0,92 / 1,12 kg
 Material: PE



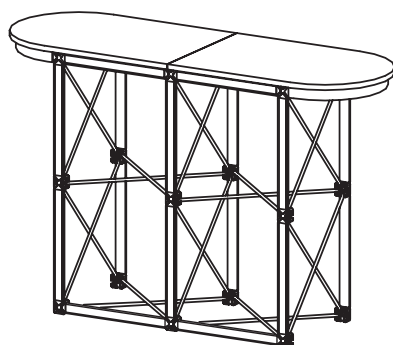
A: 1 892 x 868 mm
 B: 419 x 868 mm



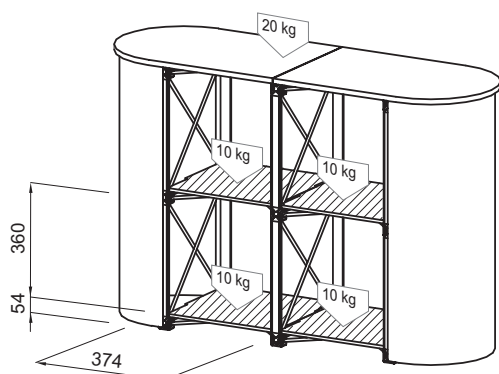
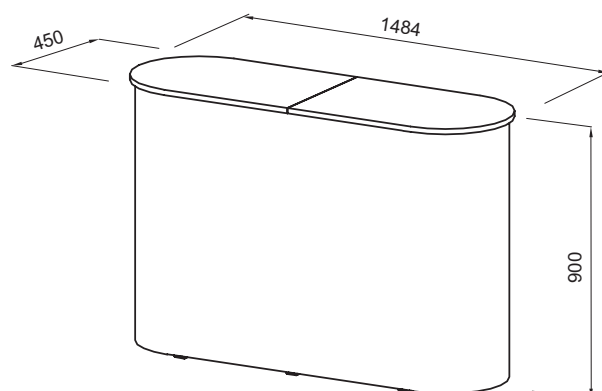
Art nr.: 2.11.07102-01
 Gewicht: 2,48 kg
 Material: nylon, polyethylen

| Art nr. | Description |
|---------------|---|
| 2.43.12011-01 | Set of fully equipped panels for ES - 1 x 2, straight, open back, incl. print |
| 2.43.12021-01 | Set of fully equipped panels for ES - 1 x 2, straight, closed back, incl. print |
| 2.42.09111 | Mounting kit for set of panels for ES - 1 x 2, straight, open back |
| 2.42.09121 | Mounting kit for set of panels for ES - 1 x 2, straight, closed back |
| 2.11.07102-01 | Flight bag for graphics, black |

EUROcounter ES - 2 x 2, straight



Art nr.: 2.40.22011
 2.40.22021
 Gewicht: 11,50 / 11,80 kg
 Material: aluminium alloy, eloxed,
 laminated chipboard (beech)



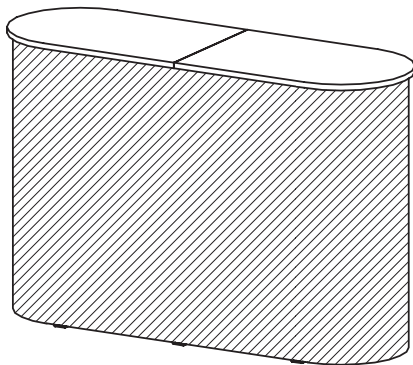
Art nr.: 2.41.03001
 Gewicht: 1,4 kg
 Material: laminated chipboard (beech)
 Notice: two or four shelves are possible
 max. Tragekraft: 20 kg



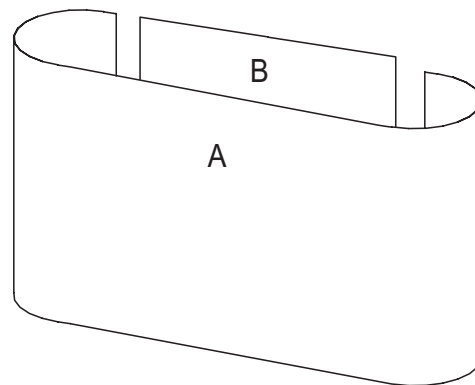
Art nr.: 2.41.07003
 Gewicht: 2 kg
 Material: nylon
 Dimension: 500 x 170 x 800 mm

| Art nr. | Description |
|------------|---|
| 2.40.22011 | EUROcounter ES - 2 x 2, straight, open back with mag. bars and top desk |
| 2.40.22021 | EUROcounter ES - 2 x 2, straight, closed back with mag. bars and top desk |
| 2.41.03001 | Shelf for ES counter, straight |
| 2.41.07003 | Flight bag for ES counter and ES counter mini, black |

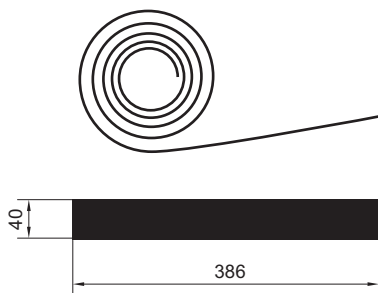
Graphic panels for ES - 2 x 2, straight



Art nr.: 2.43.22011-01
 2.43.22021-01
 Gewicht: 0,92 / 1,12 kg
 Material: PE



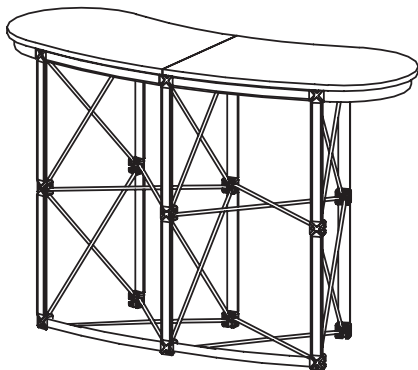
A: 2 311 x 868 mm
 B: 838 x 868 mm



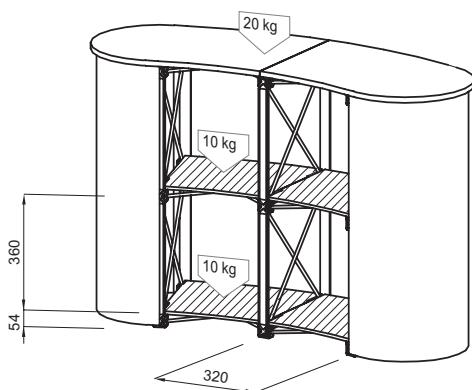
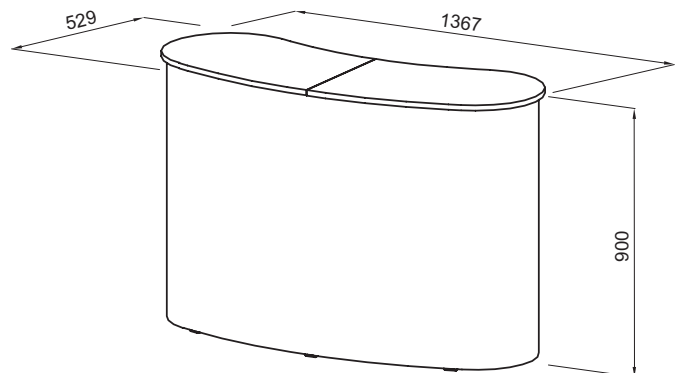
Art nr.: 2.11.07102-01
 Gewicht: 2,48 kg
 Material: nylon, polyethylen

| Art nr. | Description |
|---------------|---|
| 2.43.22011-01 | Set of fully equipped panels for ES - 2 x 2, straight, open back, incl. print |
| 2.43.22021-01 | Set of fully equipped panels for ES - 2 x 2, straight, closed back, incl. print |
| 2.42.09211 | Mounting kit for set of panels for ES - 2 x 2, straight, open back |
| 2.42.09212 | Mounting kit for set of panels for ES - 2 x 2, straight, closed back |
| 2.11.07102-01 | Flight bag for graphics, black |

EUROcounter ES - 2 x 2, curved



Art nr.: 2.40.22012
 2.40.22022
 Gewicht: 11,46 / 11,72 kg
 Material: aluminium alloy, eloxed,
 laminated chipboard (beech)



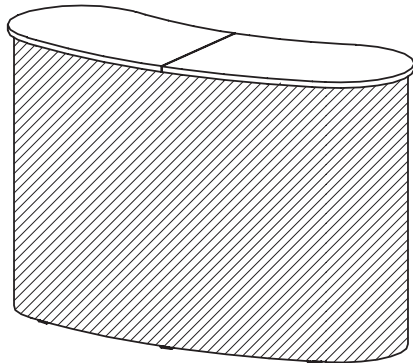
Art nr.: 2.41.03002
 Gewicht: 1,4 kg
 Material: laminated chipboard (beech)
 Notice: two or four shelves are possible
 max. Tragekraft: 20 kg



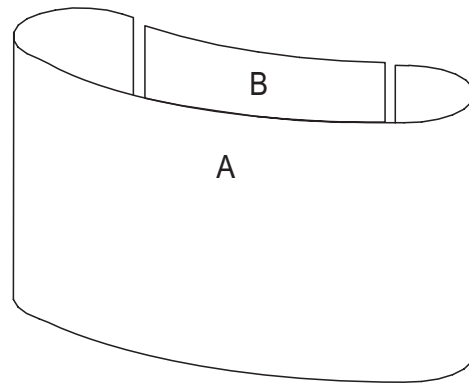
Art nr.: 2.41.07003
 Gewicht: 2 kg
 Material: nylon
 Dimension: 500 x 170 x 800 mm

| Art nr. | Description |
|------------|---|
| 2.40.22012 | EUROcounter ES - 2 x 2, curved, open back with mag. bars and top desk |
| 2.40.22022 | EUROcounter ES - 2 x 2, curved, closed back with mag. bars and top desk |
| 2.41.03002 | Shelf for ES counter, curved |
| 2.41.07003 | Flight bag for ES counter and ES counter mini, black |

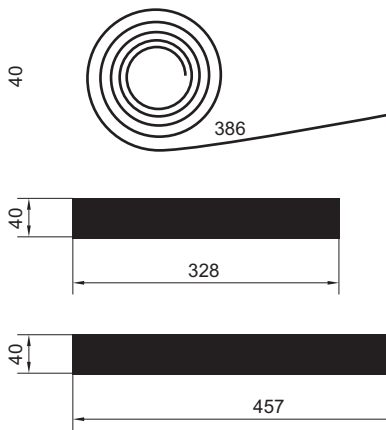
Graphic panels for ES - 2 x 2, curved



Art nr.: 2.43.22012-01
 2.43.22022-01
 Gewicht: 0,92 / 1,12 kg
 Material: PE



A: 2 453 x 868 mm
 B: 722 x 868 mm



Art nr.: 2.42.09221
 2.42.09222



Art nr.: 2.11.07102-01
 Gewicht: 2,48 kg
 Material: nylon, polyethylen

| Art nr. | Description |
|---------------|---|
| 2.43.22012-01 | Set of fully equipped panels for ES - 2 x 2, curved, open back, incl. print |
| 2.43.22022-01 | Set of fully equipped panels for ES - 2 x 2, curved, closed back, incl. print |
| 2.42.09221 | Mounting kit for set of panels for ES - 2 x 2, curved, open back |
| 2.42.09222 | Mounting kit for set of panels for ES - 2 x 2, curved, closed back |
| 2.11.07102-01 | Flight bag for graphics, black |